

# **SNE**<sup>®</sup> FAP Series

## **HVAC Air Purification System**

### **Operations Manual**

**Thank you for purchasing the FAP Series HVAC Air Purification Product.**

**New Environmental International**

**We are confident this system will provide you a fresh, clean, odor free and healthy air environment.**

**NOTE:**

**Please take time to read the attached Manual and should be adhered to while operating this system.**

The FAP by SNE® Systems are designed to eliminate sick building syndrome risks by killing and reducing bacteria, virus, odors and VOC, through MCI™ Multi Catalytic Ionization Technology. The FAP are easily mounted into HVAC Air Conditioning air ducts (Included the AHU & PAU systems) Where most sick building problems exist. When the air conditioning unit is in operation, the FAP creates the Multi Catalytic Oxidation Process to eliminate the air pollutant.

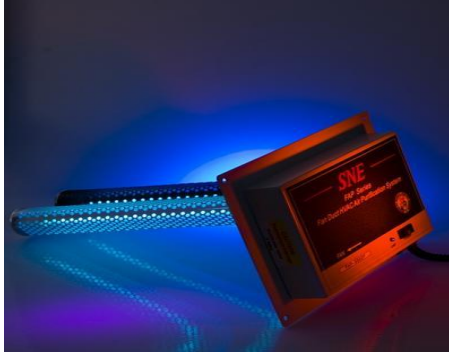
**FAP HVAC Air Purification System:**

No	Model	UV Length	HVAC Air Blower Volume	Approx. H=3m	Consumption AC/100-220V /50-60Hz
1	FAP-100DF	2 X 212 mm	1,500-9,000 m <sup>3</sup> /h	60-100m <sup>2</sup>	10W X 2
2	FAP-300DF	2 X 287 mm	9,000-1,5000 m <sup>3</sup> /h	100-300m <sup>2</sup>	12W X 2
3	FAP-500DF	2 X 356 mm	1,5000-2,5000 m <sup>3</sup> /h	300-500m <sup>2</sup>	15W X 2
4	FAP-600DF	2 X 436 mm	2,5000-3,5000 m <sup>3</sup> /h	500-700m <sup>2</sup>	20W X 2
5	FAP-700DF	2 X 540 mm	3,5000-45,000 m <sup>3</sup> /h	700-900m <sup>2</sup>	25W X 2

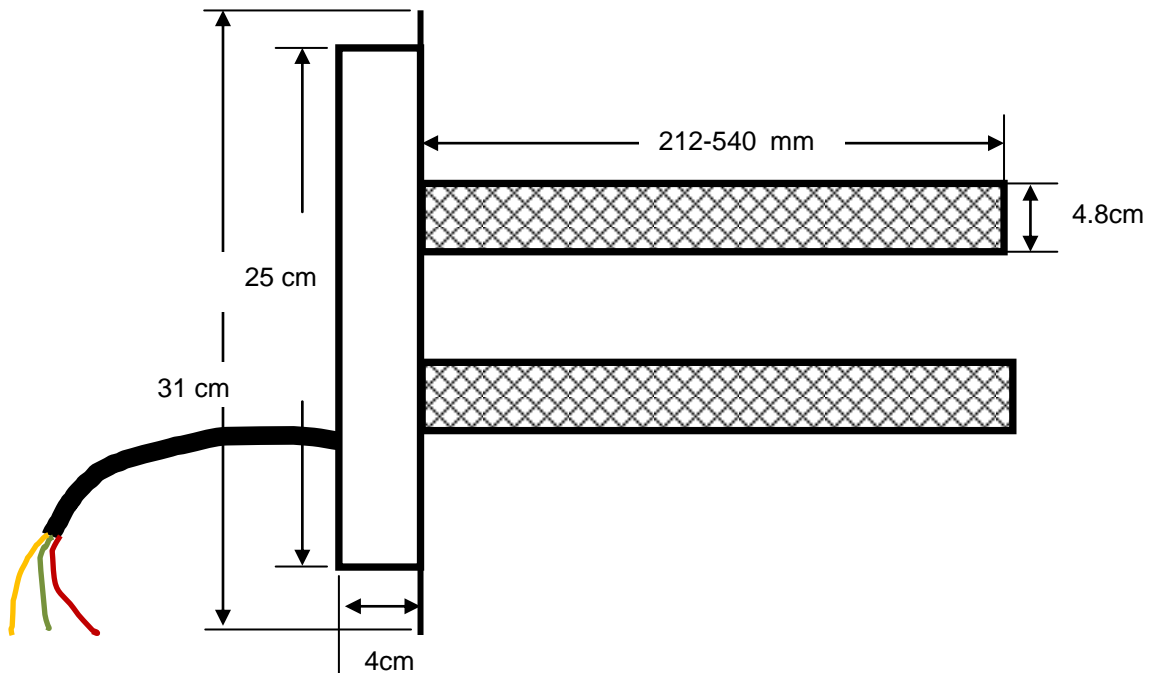
**Remarks:**

- 1, FAP is application to the HVAC System, Included AHU (Air Handling Unit) & PAU ( Packaged Air Unit ) etc.
- 2, FAP all is dual probes.
- 3, When selecting model over the FAP series, You can be select many FAP models to installing parallel and operation, It can be to promote the purification effects.
- 4, Option:

- Pure UV System: FAP-100-700DV.
- Auto: Programmable Timer or Auto/Man Control Box.
- Remote control interface.



**Figure-1 FAP Size Diagrams**



L: red N: green (blue) Ground: = yellow

Figure-2 FAP Panel Diagrams

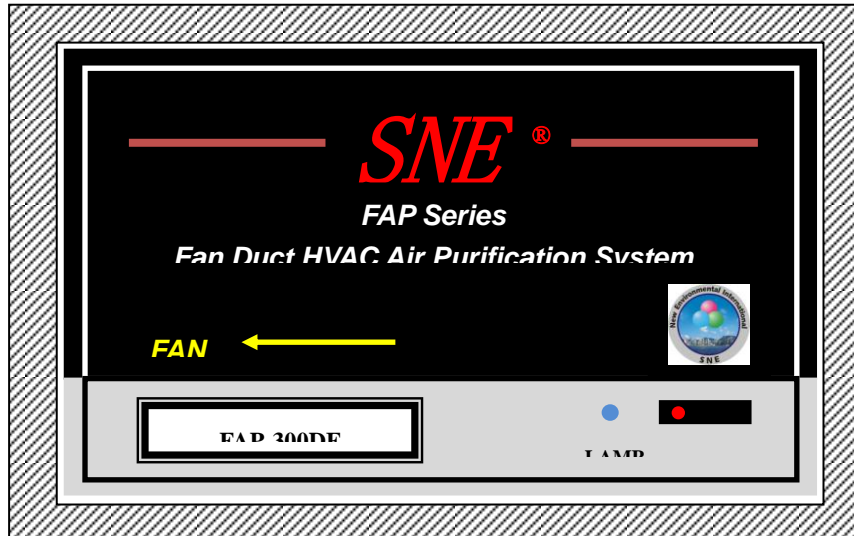
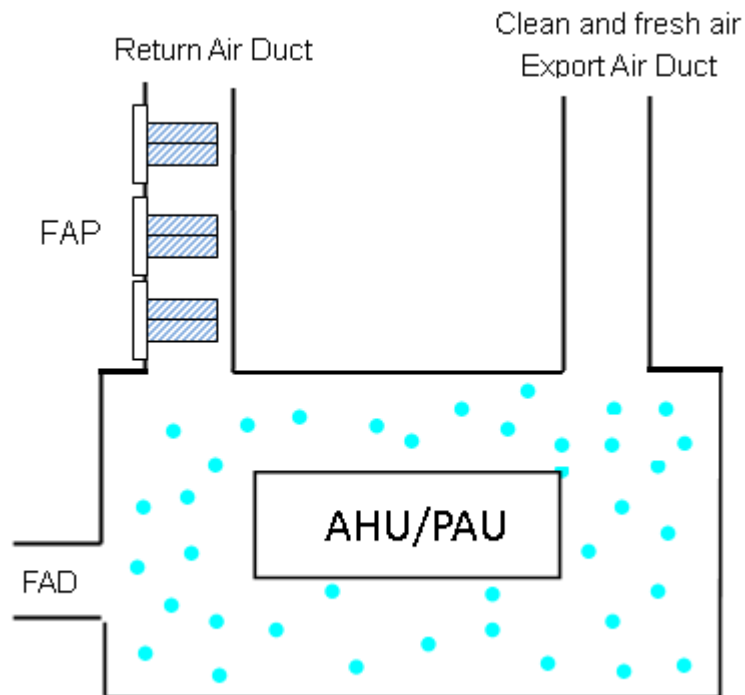
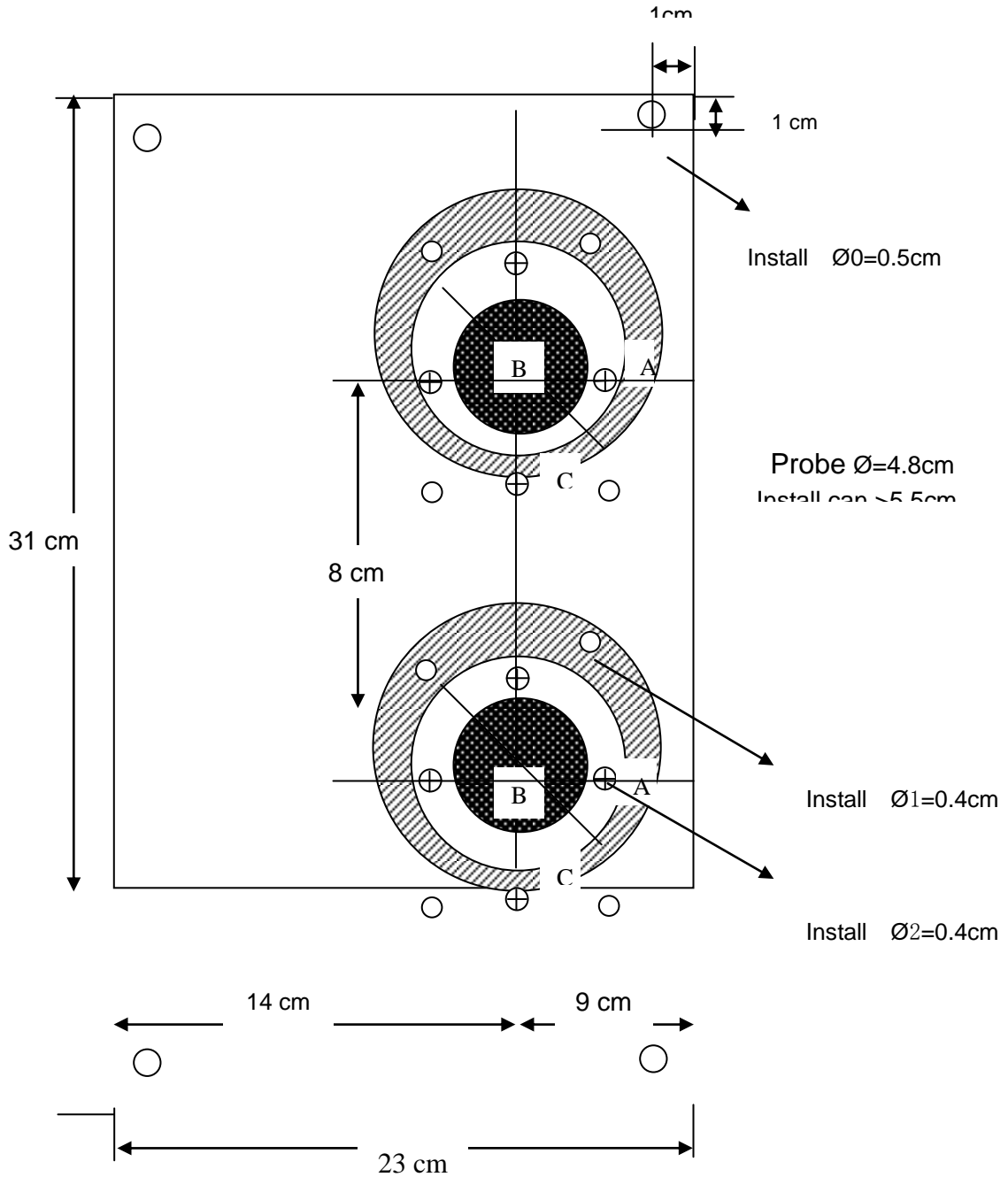


Figure-3 FAP Install Diagrams



**SNE**<sup>®</sup> MCI™ Technology has been Tested and Certified by the

**Figure-4 FAP Size Diagrams**



**Remarks:**

- A: Fixed and Connected UV probe with the electrical box fitting.
- B: UV Lamp.
- C: Fixed and Connected UV probe with the “ A “ fitting.
- D: Probe= B + C.

### **Installation:**

1, Power Supply:

---AC/100-250V/50-60Hz.

---FAP power must be connected to the AHU or PAU air blower power, The AC air blower operating, FAP open, AC air blower close, FAP close, too.

---Always leave the air blower, You can be add a switch in the FAP power, or add a Timer.

---Electrical connections should only be made licensed HVAC or Electrical Contractor.

### **WARNING!!!**

**Never look directly the UV light tube. It may cause blindness.**

2, Install to the HVAC System.

---Take to dismantle of the UV probe's protecting membrane.

---Installation to the main Return Air Duct end, but the Export Air duct start point, that right too  
(Figure-3).

---The UV Probe  $\varnothing=4.8\text{cm}$ , Installing hole can be cut  $>5.5\text{cm}$  (Figure-4).

---Use 4 X 0.5cm screws to fix the HVAC return air duct. (Figure-4, Install  $\varnothing=0.6\text{cm}$ )

--- The FAP Panel had **FAN** <----- display, It to indicate installing FAP must be note the Air Blower direction (Figure-2).

--- Detail. Please look the FAP & CAP Installation DVD or Installation Figure.

### **UV Probe Replacement:**

- 1, After 2-3 years of normal use, or 1.5 years of continuous use, the UV Probe will need replaced.
- 2, "Off" the power or unplug from the power supply.
- 3, Unscrew the 2 units X "A" 4 units  $\varnothing 1 = 0.4$  cm ( Figure-4, A: Fixed and Connected probe with the electrical box fitting).
- 4, Unscrew the 2 units X "C" 4 units  $\varnothing 2 = 0.4$  cm ( Figure-4)
- 5, Remove end connectors by gently pulling away from probe ends.
- 6, Replace with new probe, Please note: the FAP Panel had **FAN** <----- display,  
Its obverse side direction is "V" probe (white).
- 7, Re-assemble and check for the FAP.

Probe Number:

R-FAP-100Z/V (Z & V each one / Set)-----FAP-100DF

R-FAP-300Z/V (Z & V each one / Set)-----FAP-300DF

R-FAP-500Z/V (Z & V each one / Set)-----FAP-500DF

R-FAP-600Z/V (Z & V each one / Set)-----FAP-600DF

R-FAP-700Z/V (Z & V each one / Set)----- FAP-700DF