

# **SNE**<sup>®</sup> FAP/CAP-VBO Series

## **Ventiduct Bacteria & Odor Elimination Air Purification System**

### **Operation Manual**

Thank you for purchasing the **SNE**<sup>®</sup> FAP/CAP-VBO Series Ventiduct Bacteria & Odor Elimination Purification System We are confident this system will provide you a fresh, clean, odor free and healthy air environment.

**NOTE:**

Please take time to read the attached Manual and should be adhered to while operating this system.

**SNE**<sup>®</sup> FAP/CAP-VBO can purify the odors in the air by multiple catalytic complex purifying. It can effectively sterilize and decompose to eliminate the odors from garbage, sewage, kitchen lampblack & cooking , VOC, fishy, smoke, paint, ink and glue....etc.

**Application:**

Sewage Water Treatment Pools, Kitchen Cooking, Dumping Ground, Seafood, Print , Sewage Pumping, Garbage Treatment, Storage Stations, Print, Biochemistry, Painting, Petrochemical and Dyeing. Grease Trap Rooms...etc. from the ventilation duct. prevent the outdoor air from being polluted and guarantee people's life quality and health.

**FAP-VBO Specifications:**

Model	UV Length (mm)	Blower Volume (m <sup>3</sup> /h)	Power Supply	Consumption (w)
FAP-VBO-300DZ	2×11"/287	< 1,000	100-250V/AC/50-60Hz	12w × 2
FAP-VBO-500DZ	2×14"/356	1,000-2,500	100-250V/AC/50-60Hz	15w × 2
FAP-VBO-600DZ	2×17"/436	2,500-3,500	100-250V/AC/50-60Hz	20w × 2
FAP-VBO-700DZ	2×21"/540	3,500-5,000	100-250V/AC/50-60Hz	25w × 2

Remarks:

- 1, All the FAP designed is double tube type.
- 2, Voltage: AC/100-250V/50Hz/60Hz.
- 3, According to the airflow and pollution, Type selected can be done.
- 4, The panel has power switch, Power and MCI unit operation indication LED.

**SNE**<sup>®</sup> MCI™ Technology has been Tested and Certified by the



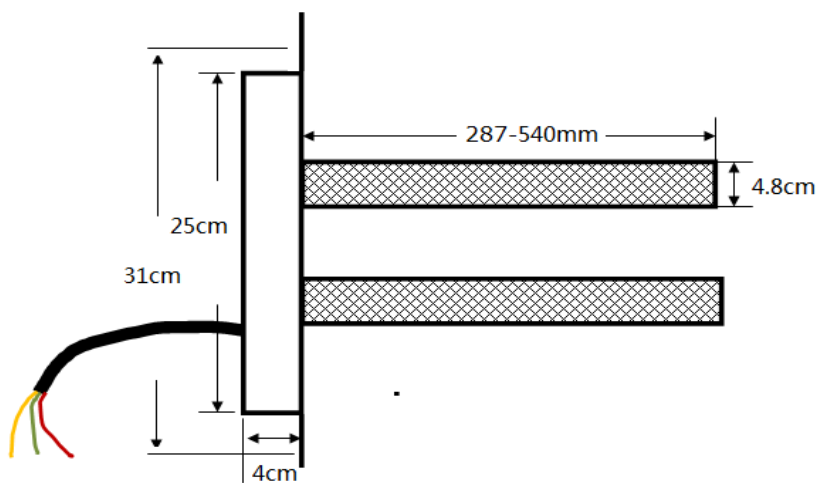
Figure-1 FAP-VBO Panel Diagrams



Figure-2 FAP-VBO-700DZ Photo



Figure-3 FAP-VBO Size Diagrams



L: RED N:Green(Blue) Ground : Yellow

New Environmental International Limited

[www.hksne.com](http://www.hksne.com)

**FAP-VBO Instruction:**

- 1, Advanced power control: it has self-adaptive functions, which can extend the length of validity of quartz tube. It has temperature, short circuit, and over current protection. It also has the SMT technology, which is stable, reliable, and energy-saving.
- 2, LED instruction: Red: power on. Blue: double UV quartz tube working. Either one of the tubes Not working, the Blue off.
- 3, VBO Power AC/100-250V/50H-60Hz. Power supply should be linked to air blower power. That is, when the kitchen blower is operating, the VBO is on. When the kitchen blower is off, so is the VBO. It is beneficial to extend the VBO quartz tube life length.
- 4, Advanced power control: it has self-adaptive functions, which can extend the length of validity of quartz tube. It has temperature, short circuit, and over current protection. It also has the SMT technology, which is stable, reliable, and energy-saving.
- 5, LED instruction: Red: power on. Blue: double UV quartz tube working. Either one of the tubes Not working, the Blue off.
- 6, VBO Power AC/100-250V/50H-60Hz. Power supply should be linked to air blower power. That is, when the kitchen blower is operating, the VBO is on. When the kitchen blower is off, so is the VBO. It is beneficial to extend the VBO quartz tube life length.
- 7, Configuration can be set by referring to the wind range, odor pollution degree, wind selection, and sample test. VBO can be used in parallel. Due to the fact that ventilation tube purification is not recyclable and the pollutant is disposable to be let out, customers should use more large types and increase the amount of the products.
- 8, If the gas contain oil, VBO must be installation to the oil filter after.
- 9, When it is used in the Kitchen, the installment position should be in the ventilation duct which is right behind the exhaust equipment(e.g., EP or stainless oil filter) in order to avoid the oil pollution or high temperature. when the degreasing equipment does not work. Multiple VBOs could be cross-installed on both sides of the ventilation duct.

10, VBO Can be used many VBO models to installing and operation parallel according the requirements. It can be to promote the purification effects.

### **FAP-VBO Installment:**

--The installment position should be at the beginning end of the ventilation duct. The ventilation duct should be long (>8m) enough to extend the purification time.

--Take to dismantle of the UV probe's protecting membrane.

--Installation to the ventilation duct.

--The UV Probe  $\varnothing=4.8\text{cm}$ , Installing hole can be cut  $>5.5\text{cm}$  (Figure-4).

---Use 4 X 0.5cm screws to fix the ventilation duct. (Figure-4 Install  $\varnothing=0.6\text{cm}$ )

---Detail. Please look the FAP Installation DVD or Installation Figure.

### **WARNING!!!**

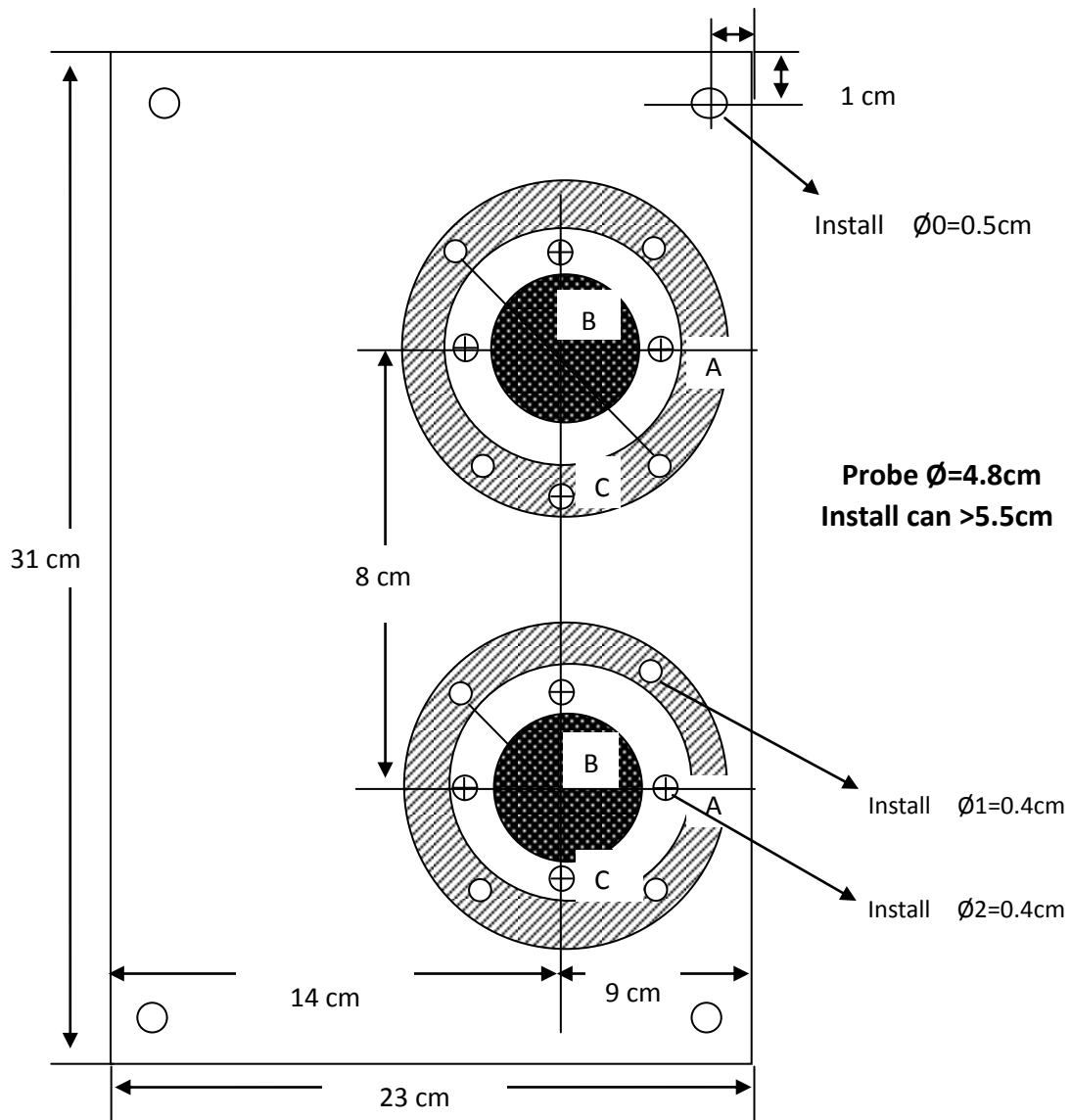
**Never look directly the UV light tube. It may cause blindness.**

### **UV Probe Replacement:**

**Probe = (UV tube + Catalytic net cover)**

- 1,** After 2-3 years of normal use, or 1.5 years of continuous use, the UV Probe will need replaced.
- 2,** "Off" the power or unplug from the power supply.
- 3,** Unscrew the 2 units X "A" 4 units  $\varnothing1=0.4\text{ cm}$  (Figure-4, A: Fixed and Connected probe with the electrical box fitting).
- 4,** Unscrew the 2 units X "C" 4 units  $\varnothing2=0.4\text{ cm}$  (Figure-4).
- 5,** Remove end connectors by gently pulling away from probe ends.
- 6,** Re-assemble and check for the FAP-VBO.

**Figure-4 FAP Sizes Diagrams**



**Remarks (Figure-4):**

- A: Fixed and Connected UV probe with the electrical box fitting.
- B: UV Lamp.
- C: Fixed and Connected UV probe with the " A " fitting.
- D: Probe= B + C.

**FAP-VBO Replacement Number:**

- R-VBO-100W/G
- R-VBO-300W/G
- R-VBO-500W/G
- R-VBO-600W/G
- R-VBO-700W/G

R-VBO-700HW/G

(W & G each one unit / Set-----to Replacement the FAP-VBO-XXXDZ).

**CAP-VBO Series:**

The CAP-VBO series is suitable for relatively small size of the ventilation pipe, its principle, function, and FAP-VBO is basically the same, but it is single tube structure.

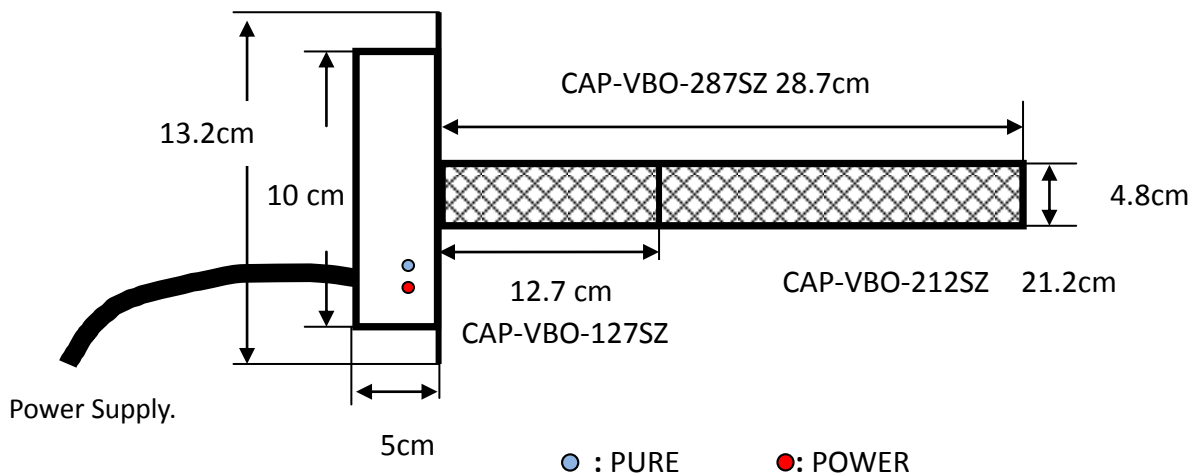
**CAP-VBO Specifications:**

Model	UV Length (mm)	Blower Volume (m <sup>3</sup> /h)	Power Supply	Consumption (w)
CAP-VBO-127SZ	5"/287	< 300	100-250V/AC/50-60Hz	5w
FAP-VBO-212SZ	9"/212	< 500	100-250V/AC/50-60Hz	10w
FAP-VBO-287SZ	11"/287	< 800	100-250V/AC/50-60Hz	12 w

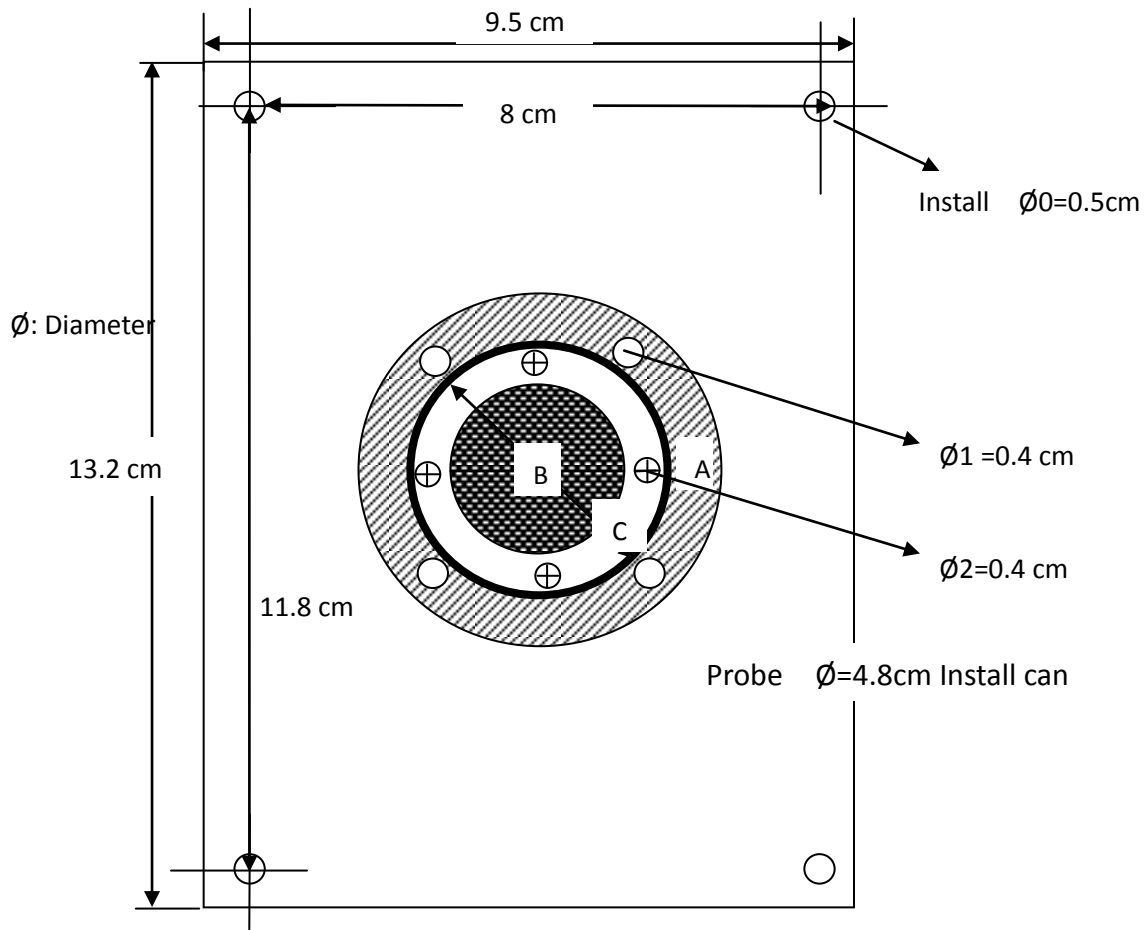
**Remarks:**

- 1, All the CAP-VBO designed is single tube type.
- 2, Voltage: AC/100-250V/50Hz/60Hz.
- 3, According to the airflow and pollution, type selected can be done.
- 4, The panel has power and MCI unit operation indication LED.

**Figure-5 CAP-VBO Size Diagrams**



**Figure-6 CAP-VBO Sizes Diagrams**



**Remarks:**

- A: Fixed and Connected UV probe with the electrical box fitting.
- B: UV Lamp.
- C: Fixed and Connected UV probe with the " A " fitting.
- D: Probe = B+C.

**CAP-VBO Installment:**

CAP-VBO installment same the FAP-VBO, But its single UV tube, You can be refer to FAP-VBO and figure-5, figure-6.

**CAP-VBO Replacement:**

CAP-VBO replacement same the FAP-VBO too, But its single UV tube, You can be refer to FAP-VBO and figure-5, figure-6 also.



**Replacement Probe Number:**

R-CAP-VBO-127-----CAP-VBO-127SZ (CAP-VBO Model)  
R-CAP-VBO-212-----CAP-VBO-212SZ (CAP-VBO Model)  
R-CAP-VBO-287-----CAP-VBO-287SZ (CAP-VBO Model)